

ACCUCHARGER[®] Ferroresonant Industrial Battery Chargers



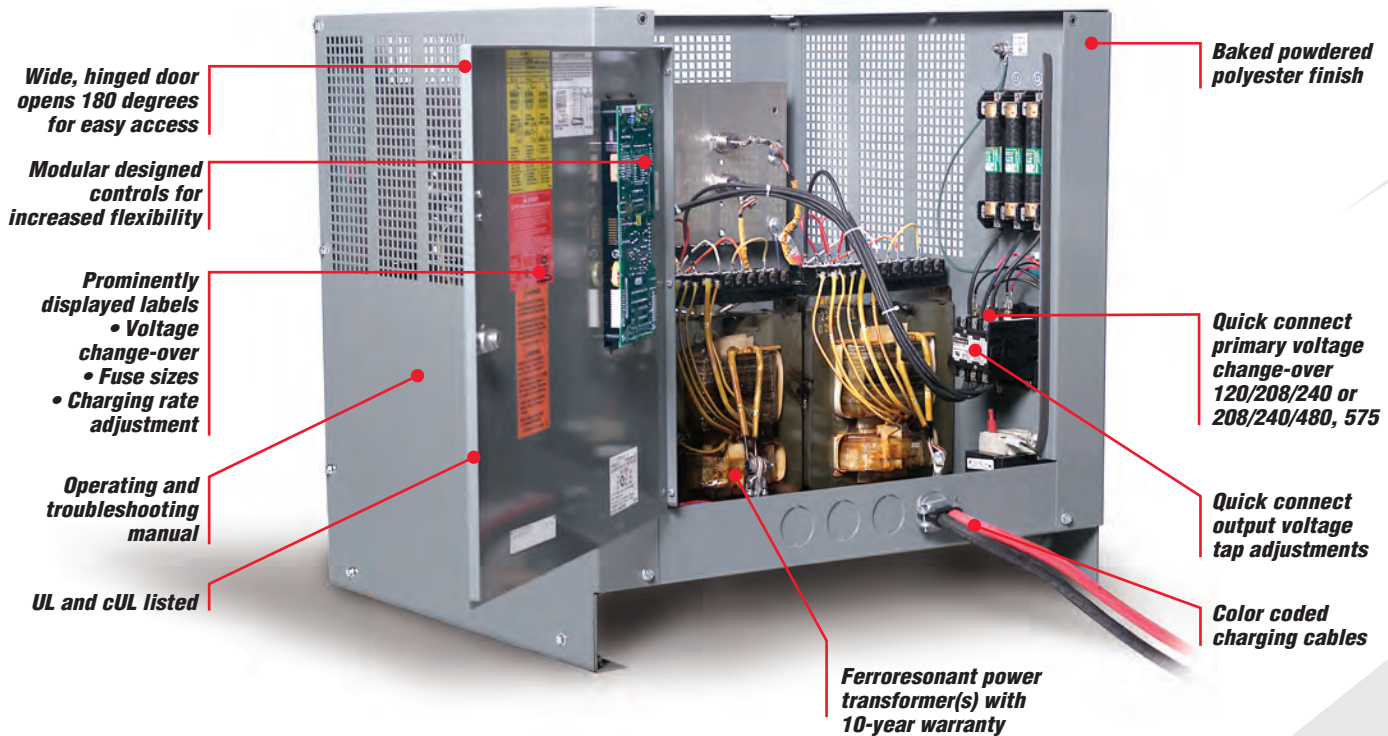
Setting The Industry Standard For Maximum Performance

- *A choice of 2 interchangeable controls for added flexibility*
- *Quality-built for years of trouble-free service*
- *Fail-safe design protects batteries*
- *100% rated to recharge fully discharged batteries in 8 hours or less*
- *Ten-year full warranty*
- *UL and cUL listed*



ACCUCHARGER®

For Dependable And Efficient
Charging Every Time!



Designed for Maximum Performance

The Accu-Charger sets the industry standard for accuracy, efficiency, flexibility and reliability. Designed to recharge any 100% discharged lead-acid battery in its ampere-hour rating within 8 hours, the Accu-Charger is engineered to provide the maximum in charging performance. The charger uses ferroresonant power conversion circuitry, which is virtually maintenance-free, to provide years of dependable service. The power conversion circuitry maximizes battery life by using a constantly tapering charge which is automatically regulated by the "On Charge" battery voltage. The output current of the Accu-Charger is determined by the state of discharge of the battery. The battery is precisely charged, based on its depth of discharge.

Control options

Depending on your charging requirements, the Accu-Charger can be controlled by any one of the following controls: AC1000 and AC2000.

Battery/Charger Safeguards

The Accu-Charger is internally protected against overload, short circuit, incorrect battery connection and voltage transients. Shorting of the DC output will not damage the charger or cause fuses to blow. Plus, in the event of a component failure, the charging rate will automatically go to "minimum," thus protecting the battery from damage.

Single & Three Phase Service

The Accu-Charger is available in a variety of single and three phase models, providing multiple AC input voltages as standard. All models are UL and cUL listed and meets BCI requirements.

Rating

The Accu-Charger is rated to recharge a 100% discharged battery in its ampere-hour rating within eight hours.

Easy to Change AC Input Voltage

AC input voltage change-overs take just minutes because of conveniently located taps and quick-connect jumpers.

Adjustable DC Output

In rare instances where changes to the DC output might be required, necessary adjustments are made simple with conveniently located quick-connect jumpers.

Warranty

Minimize repair costs with ten-year original purchaser full warranty on labor, travel, mileage and parts replacement. Fuses are not warranted unless found to be defective prior to use.

Convection Cooled, Quiet

The Accu-Charger uses no fans to draw in dirty air and has low sound levels for quiet operation.

Automatic Operation

After the battery is connected and the control is initiated, the Accu-Charger will automatically start the charging operation. It will continue to charge the battery until the battery is fully charged at which time the Accu-Charger will automatically terminate the operation.

Interchangeable Control Design

The Accu-Charger is designed to allow the quick and easy installation or removal of the controls. Unmatched in the industry, this design allows controls to be interchanged in minutes for greater control, flexibility and automation of any battery charging operation.

Functional cabinet design

The cabinet is constructed with heavy-gauge sheet metal and finished with a durable, long-lasting powdered polyester baked finish. The cabinet is designed to provide direct access to the AC power connection points and conveniently facilitates any required service.

Flexible Cabinet Mounting

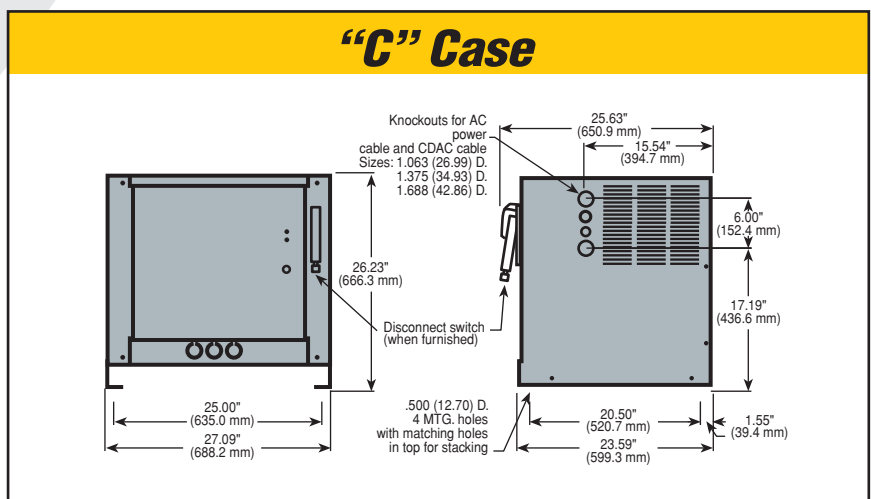
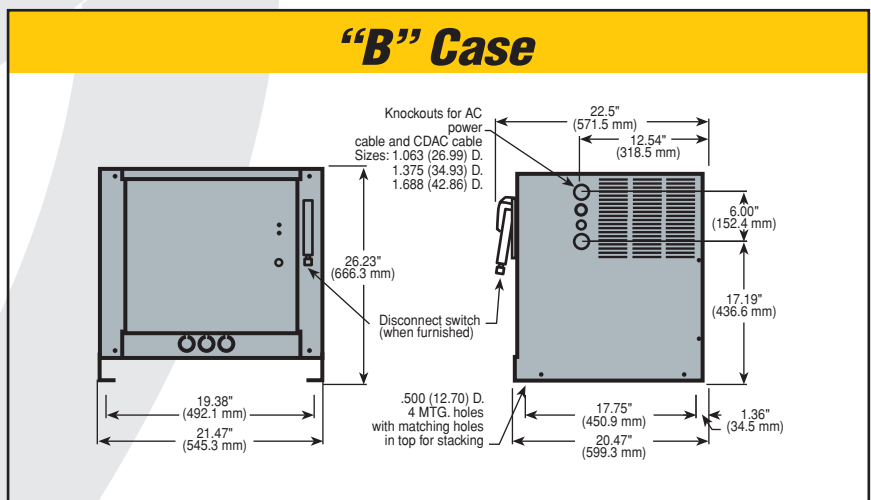
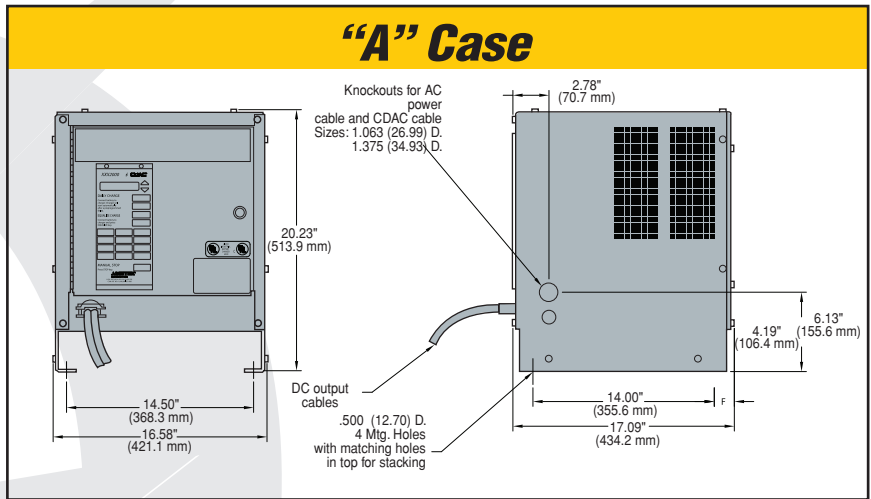
All case styles can be wall, bench or floor mounted and all cases are stackable to save floor space.

Efficient, Low Cost Operation

The copper-wound, ferroresonant transformer design of the Accu-Charger is extremely efficient, converting AC input power to useable DC output power.

Quality-Built for Years of Trouble-Free Service

Quality is the driving force behind the Accu-Charger. Its design allows it to meet the many challenges associated with charging batteries. Unmatched in construction, reliability and value, each Accu-Charger is subject to intensive quality control and test procedures to ensure many years of trouble-free service.



AccuCharger Models

Application		Output	Model Number			AC Input, Amperes			Weight, lbs.
No. battery case	Recommended battery ampere-hour range for 8 hour charge	DC Output amperes 2.13 v/cell	A Case	B Case	C Case	1-phase 120/208/240 volts	1-phase 208/240/480, 575 volts (see notes)	3-phase 208/240/480, 575 volts (see notes)	Approx. shipping weight
6	0-180	36	180A1-6			5.5/3.1/2.7	3.1/2.7/1.4, 1.0		95
6	181-250	50	250A1-6			8.1/4.7/4.1	4.7/4.1/2.0, 1.5		100
6	251-380	76	380A1-6	380B1-6		13.2/7.6/6.6	7.6/6.6/3.3, 2.8		110/165
6	381-450	90	450A1-6			15.0/8.7/7.6	8.7/7.6/3.8, 3.1		115
6	451-510	102		510B1-6			10.6/9.2/4.6, 3.8		175
6	511-600	120		600B1-6	600C3-6		11.5/10.0/5.0, 4.2	6.1/5.3/2.6, 2.2	185/225
6	601-750	150		750B1-6	750C3-6		14.5/12.6/6.3, 5.3	7.2/6.3/3.1, 2.6	190/290
6	750-880	176		880B1-6	880C3-6		17.7/15.4/7.7, 6.4	8.5/7.4/3.7, 3.1	205/285
6	881-1050	210			1050C3-6			10.7/9.2/4.6, 3.8	290
9	381-450	90	450A1-9		450C3-9		11.8/10.2/5.1, 4.3	6.7/6.0/3.0, 2.5	120/220
12	0-250	50	250A1-12			16.7/9.6/8.4	9.6/8.4/4.2, 3.5		110
12	251-380	76	380A1-12	380B1-12	380C3-12		14.5/12.6/6.3, 5.2	6.9/6.0/3.0, 2.5	115/185/275
12	381-450	90		450B1-12	450C3-12		16.5/14.4/7.2, 6.1	8.2/7.1/3.6, 3.0	190/280
12	451-510	102		510B1-12	510C3-12		18.8/16.4/8.2, 6.7	9.4/8.2/4.1, 3.4	195/283
12	511-600	120		600B1-12	600C3-12		22.7/19.8/9.9, 8.2	11.2/9.7/4.9, 4.1	205/285
12	601-750	150		750B1-12	750C3-12		29.1/25.3/12.7, 10.5	14.7/12.9/6.4, 5.3	230/295
12	751-880	176		880B1-12	880C3-12		34.3/29.9/14.9, 12.4	17.7/15.5/7.7, 6.4	235/310
12	881-1050	210			1050C3-12			21.3/18.6/9.3, 7.7	330
12	1051-1200	240			1200C3-12			21.7/19.0/9.5, 7.9	370
12	1201-1400	280			1400C3-12			25.8/22.5/11.2, 9.3	410
16	511-600	120			600C3-16			16.1/14.0/7.0, 5.8	305
16	751-880	176			880C3-16			23.3/20.3/10.2, 8.5	320
18	0-250	50	250A1-18	250B1-18			12.8/11.1/5.6, 4.6		125
18	251-380	76		380B1-18	380C3-18		20.0/17.4/8.7, 7.2	10.5/9.1/4.6, 3.8	190/290
18	381-450	90		450B1-18	450C3-18		24.5/21.4/10.7, 8.9	13.3/11.6/5.8, 4.8	205/295
18	451-510	102		510B1-18	510C3-18		27.5/24.0/12.0, 10.0	15.7/13.7/6.9, 5.7	215/300
18	511-600	120		600B1-18	600C3-18		31.1/27.1/13.5, 11.3	17.3/15.1/7.6, 6.3	225/310
18	601-750	150		750B1-18	750C3-18		42.5/36.8/18.4, 15.4	22.9/19.9/10.0, 8.3	290/320
18	751-880	176		880B1-18	880C3-18		47.5/41.2/20.6, 17.2	24.2/21.1/10.5, 8.8	330/370
18	881-965	193		965B1-18	965C3-18		NA/48.0/24.0, 20.0	25.8/22.5/11.2, 9.3	345/380
18	881-1020	204			1020C1-18		59.8/51.8/25.9/21.6		335
18	966-1050	210			1050C3-18			29.0/25.2/12.6, 10.5	385
18	1051-1200	240			1200C3-18			33.6/29.3/14.7, 12.2	425
18	1201-1400	280			1400C3-18			37.2/32.4/16.2, 13.5	450
18	1201-1500	300			1500C3-18			45.0/39.0/19.5, 16.3	500
20	1201-1400	280			1400C3-20			43.5/37.7/18.8, 15.7	495
24	181-250	50		250B1-24	250C3-24		17.4/15.2/7.6, 6.3	8.9/7.7/3.9, 3.2	195/285
24	251-380	76		380B1-24	380C3-24		25.1/21.9/10.9, 9.1	13.7/11.9/6.0, 5.0	219/285
24	381-450	90		450B1-24	450C3-24		31.5/27.5/13.7, 11.4	17.0/14.8/7.4, 6.2	225/290
24	451-510	102		510B1-24			42.2/36.6/18.3, 15.3		260
24	451-600	120		600B1-24	600C3-24		45.2/39.2/19.6, 16.4	22.5/19.6/9.8, 8.2	295/320
24	601-750	150			750C3-24			28.1/24.5/12.2, 10.2	380
24	751-880	176			880C3-24			34.7/30.2/15.1, 12.6	375
24	881-965	193			965C3-24			36.6/31.9/15.9, 13.2	380
24	881-1050	210			1050C3-24			41.1/35.8/17.9, 14.9	450
24	1051-1200	240			1200C3-24			44.1/38.4/19.2, 16.0	470
24	1201-1400	280			1400C3-24			NA/46.5/23.3, 19.3	510
24	1401-1520	304			1520C3-24			NA/NA/25.3, 21.1	555
30	251-380	76			380C3-30			17.9/15.6/7.8, 6.5	325
30	601-750	150			750C3-30			33.2/28.8/14.4, 12.0	380
32	511-600	120			600C3-32			28.6/24.8/12.4, 10.4	325
36	0-250	50			250C3-36			13.6/11.8/5.9, 4.9	310
36	251-380	76			380C3-36			21.7/18.8/9.4, 7.8	325
36	381-450	90			450C3-36			25.7/22.4/11.2, 9.3	365
36	451-600	120			600C3-36			32.2/28.1/14.0, 11.7	390
36	601-750	150			750C3-36			43.6/38.0/19.0, 15.8	415
36	751-880	176			880C3-36			NA/43.0/21.5, 17.9	485
36	881-965	193			965C3-36			NA/48.0/24.0, 20.0	490
36	881-1000	200			1000C3-36			NA/48.0/24.0/ 21.0	500
40	251-380	76			380C3-40			22.6/19.6/9.8, 8.2	325
40	451-510	102			510C3-40		62.2/54.2/27.1, 22.6	30.8/26.8/13.4, 11.2	410
40	451-550	110			550C1-40				415
40	511-600	120			600C3-40			36.6/31.9/16.0, 13.3	420
40	601-750	150			750C3-40			45.6/39.8/19.9, 16.5	490
40	751-880	176			880C3-40			NA/47.0/23.5, 19.6	515

NOTE 1: Single phase chargers can be connected to one phase of a three-phase power system.

NOTE 2: Contact factory for availability on non-standard voltages, non-standard cell sizes, 50 Hertz chargers, or special applications.

NOTE 3: All chargers are furnished with standard SB type battery charging connector and 8 ft. output cable.

NOTE 4: Standard voltages for single and three phase models are 208/240/480. Alternate voltage configuration 240/480/575.

NOTE 5: Not all options are available for models listed, contact factory for availability.

DISTRIBUTED BY:



Manufactured by AMETEK PRESTOLITE POWER
 2220 Corporate Drive • Troy, Ohio 45373
 Phone: 800.367.2002 • Fax: 800.654.4024
 www.prestolitepower.com

