

eclipse II slimline Series

High Frequency

Eclipse II Plus Slimline
Fast or Opportunity Charging

Eclipse II Slimline
Conventional Charging



**The Industry Standard For
All Your Charging Needs**

- ⚡ **Utilizes space efficiently – saves valuable floor space**
- ⚡ **Available in 480 VAC and 480/600 VAC**
- ⚡ **High efficiency charging, as high as 93%, reduces energy costs**
- ⚡ **Adapts to all battery types and applications with user selectable charge algorithms**
- ⚡ **Easy access to components for service and maintenance**
- ⚡ **Eclipse II Slim-Line Series is Datalink² compatible**
- ⚡ **Eclipse II Slim-Line Plus opportunity charger has the Datalink² wireless module built in**
- ⚡ **UL and cUL listed**

AMETEK
PRESTOLITE POWER

eclipse II Slim-line Series



Eclipse II Slimline Series

The Eclipse II Slimline series is the most adaptive charging solution on the market, and it maintains the same quality you've come to expect from Ametek. The opportunity charging function will sustain the battery between 20% and 80% state of charge via short, opportunistic charges and is able to fully charge your battery in 6 hours or less. Conventional charging mode recharges any fully discharged lead-acid battery within the charger's rated capacity, flooded or sealed, in 8 hours or less.

Advanced IGBT high frequency power conversion circuitry supplies efficient, reliable service in all modes and supports the fast charging capability of the Eclipse II Slimline for when you need your battery available as soon as possible.

Low Cost Efficient Operation

The high power demands of opportunity chargers require an energy efficient design. The advanced high frequency design of the Eclipse II Slimline is extremely efficient at up to 93%, converting AC power to usable DC power with the minimum possible impact on the utility grid. The .95 power factor minimizes AC amp draw and thereby reduces installation costs.

Inside View

EC2000 Control

The new EC2000 control is nearly identical in functionality and programmability to AMETEK's popular UC2000 used in the Ultra product line. With a 40 character, alphanumeric LCD display, easy to read information is always available to follow the charger's status. In addition, 4 bright LEDs provide charge status at a glance and the sealed membrane keypad allows for easy customer interface.

Energy Saving Features

Further enhance energy savings by utilizing the EC2000's programmable start modes. Using the **Delayed** or **Time-of-Day** start modes of the EC2000 to charge your batteries during off-peak hours can yield up to 50% in additional energy cost saving. The EC2000 also offers **Time-of-Day Block-Out** to lower utility bills and reduce peak demand by blocking out a period of charging time on one or more chargers.

Minimize Hydrogen Gas Emissions

The No-Gassing feature of the Eclipse II Slimline allows a programmable time to be set so that should the charger reach the gassing portion of the charge cycle within the set time, the charger would stop charging until the set time has elapsed. Only at this point would the charger continue to charge and take the battery to charge complete.

Automatic or Manual Equalize Operation

All Eclipse II Slimline Series chargers are shipped with Automatic Equalize enabled to ensure that your batteries routinely receive an equalize charge of three hours beyond the normal DV/DT charger termination. Auto Equalize can be set for one of three options: Number of Cycles, Day of Week or BID.

When any automatic equalize function is selected, the equalize button on the keyboard is disabled to prevent unnecessary equalize charges. The ability to automatically equalize batteries provides an exact schedule of equalize charges for better battery maintenance and longer life.

Detail View of CID

BID Equalization Function

When an AMETEK BID is attached to the battery, it tracks and records completed charge cycles. When the battery is connected to the charger, it reads the BID information to determine how many charge cycles have been completed since it was last equalized. When the number of completed cycles matches the user selected equalize interval, the charger will equalize that battery. This ensures that each battery is equalized at the intervals selected by the customer regardless of which charger is connected.

Battery Cool Down

Battery cool down allows the battery to cool down before use, which allows for increased control of battery rotation, resulting in increased battery efficiency and longer life. Battery cool down can be programmed from the EC2000 keypad from 0-8 hours in one hour increments. After the recharge is complete, the display will read "battery cool down" until the predetermined cool down period has ended, at which time the charge complete LED is illuminated.

Regulation

The Eclipse II Slimline Series is designed to hold the finish current to within +/-2% over a wide range of line voltage variations.

Mounting Options

The Eclipse II Slimline comes with removable legs and wall mounting brackets for shelf or wall mounting.

Quiet Fan Cooling

The charger utilizes an advanced fan design to cool the electronics, extending life while providing low sound levels for quiet operation.

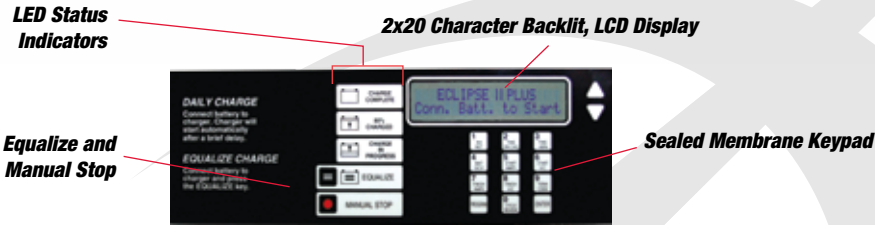
3 Year Full Warranty

Repair costs are minimized through a 3 year full warranty for the original purchaser. Warranty covers labor, travel, and parts replacement.

High Frequency

Eclipse II Plus Slimline – Fast or Opportunity Charging

Eclipse II Slimline – Conventional Charging



Prevent Overcharging

Back-up timers protect your batteries from overcharging by shutting the charger off in the event that the battery does not reach 80% charged in 9 hours, or does not reach charge complete within 4 hours of reaching the 80% charged point. The charger also monitors the ampere hours returned and if the ampere hours returned exceed the rated ampere hour capacity by 125%, the charger will shutdown, protecting your battery from harmful overcharging. (150% on equalize cycles.)

Charge Cycle Archive

The charger will collect and save 21 items of charge cycle information for the last 500 charge cycles. This valuable information can then be reviewed manually from the front panel, or it can also be downloaded wirelessly using our Datalink² system.

Operating Modes

Multi-cell: automatically matches output voltage to battery

Fixed-cell: set for specific battery voltage, rejects others

BID mode: information programmed in BID determines charger operation

Timer Start: operated as a manual timer for maintenance and shop charging

Refresh Charge

Start off the week with fully charged batteries. Anytime the battery is left plugged into the charger for an extended time, such as over a long weekend, the charger will restart automatically and top off the battery to ensure your trucks are running at peak performance.

Monitor Battery and Charger Operation

With no spare batteries, it's important to know that your batteries are being properly charged and maintained. The functionality of the Eclipse II Series chargers can be greatly enhanced through the

addition of the optional Battery Identification Module, BID. The BID is programmed with battery information including rated AH capacity, rated voltage, battery type, and start rate for opportunity charging.

Batteries with BIDs will be automatically recognized by the charger, allowing the charger to charge at the proper voltage and current levels for the type of battery connected. The BID eliminates any manual charger settings. The Eclipse II Series charger charges all battery types.

BID with Electrolyte Sensor



The addition of an electrolyte sensor to the standard BID allows the charger to sense when the connected battery needs to be checked for electrolyte levels.

At charge complete, the BID will send a signal to the charger that the electrolyte level is low, and the control will display a message instructing the operator to check the battery.

Wireless Fleet Management System

The Eclipse II Slimline Series is Datalink² compatible and the Eclipse II Plus Slimline has the Datalink² wireless module built-in. Datalink² gives you the opportunity to monitor battery usage and identify bad situations before they become problems that lead to down time.

Datalink² greatly enhances the ability to collect charge and discharge data from the charger. The transfer of data occurs wirelessly utilizing our proprietary wireless network in combination with a powerful transceiver. Typical communication range is 1,500 ft in a normal operating environment and with communication between chargers, this range is doubled to a 3,000 ft radius. The actual range in your facility can vary greatly based on numerous factors. It is not necessary for the system to be integrated into the customer's network.

Battery Identification Module



The functionality of the Eclipse II Slimline Series chargers can be greatly enhanced through the addition of the optional Battery Identification Module, BID. The BID is

programmed with battery information including rated AH capacity, rated voltage, battery type and more.

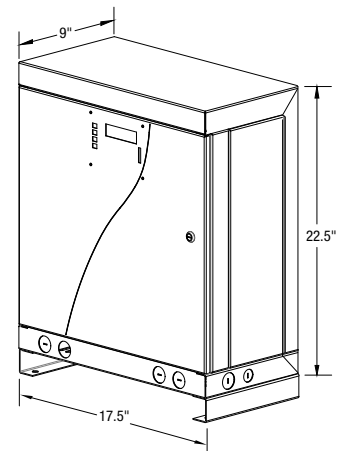
BID with Ampere Hour Accumulator



When equipped, a battery with an ampere-hour accumulator BID will transmit to the EC2000 control, the updated AH data.

The accumulated AHs for both charge and discharge cycles are stored in the BID along with the lifetime average battery temperature, and is readable from the EC2000 control and through the Datalink² System. The accumulated ampere-hours are essential to support battery warranty and to predict battery end of life.

Dimensions



Add 1-1/2" height for removable legs
Add 1-1/2" width for removable wall brackets

Eclipse II and Eclipse II Plus - SLIMLINE - 480VAC ONLY Chargers

Number Battery Cells	Model Number	Amp-Hour Capacity in 8 hours	Maximum DC Output Amps	Phase	AC Input Amps at 480 VAC 60 Hertz-3 ph	Approx. Weight (lbs.)
ECLIPSE II – Slimline (conventional charger)						
6,9,12	500ES3-12S	500	82	3	3.3	70
6,9,12	600ES3-12S	600	98	3	3.9	70
6,9,12	800ES3-12S	750	130	3	5.2	70
6,9,12	925ES3-12S	925	151	3	6	70
6,9,12	1050ES3-12S	1050	171	3	6.9	70
6,9,12	1200ES3-12S	1200	196	3	7.9	70
6,9,12,18	600ES3-18S	600	98	3	5.9	70
6,9,12,18	800ES3-18S	800	130	3	7.8	70
6,9,12,18	925ES3-18S	925	151	3	9.1	70
6,9,12,18	1050ES3-18S	1050	171	3	10.3	70
6,9,12,18	1200ES3-18S	1200	196	3	11.8	80
6,9,12,18	1400ES3-18S	1400	228	3	13.7	80
6,9,12,18,24	500ES3-24S	500	82	3	6.5	70
6,9,12,18,24	600ES3-24S	600	98	3	7.8	70
6,9,12,18,24	800ES3-24S	800	130	3	10.4	70
6,9,12,18,24	925ES3-24S	925	151	3	12.1	70
6,9,12,18,24	1050ES3-24S	1050	171	3	13.7	70
12,18,24,36,40*	375ES3-40S	375	61	3	8.2	70
12,18,24,36,40*	500ES3-40S	500	82	3	10.9	70
12,18,24,36,40*	600ES3-40S	600	98	3	13.1	70
12,18,24,36,40*	690ES3-40S	690	112	3	15.1	70

ECLIPSE II PLUS – Slimline (opportunity charger)						
6,9,12	550ES3-12SP	550	138	3	5.5	70
6,9,12	680ES3-12SP	680	170	3	6.8	70
6,9,12	800ES3-12SP	800	200	3	8	80
6,9,12	900ES3-12SP	900	225	3	9	80
6,9,12	1000ES3-12SP	1000	250	3	10	80
6,9,12,18	550ES3-18SP	550	138	3	8.3	70
6,9,12,18	680ES3-18SP	680	170	3	10.2	70
6,9,12,18	800ES3-18SP	800	200	3	12	80
6,9,12,18	900ES3-18SP	900	225	3	13.5	80
6,9,12,18	1000ES3-18SP	1000	250	3	15	80
6,9,12,18,24	550ES3-24SP	550	138	3	11	70
6,9,12,18,24	680ES3-24SP	680	170	3	13.6	70
6,9,12,18,24	750ES3-24SP	750	188	3	17	80
12,18,24,36,40*	375ES3-40SP	375	94	3	12.5	70
12,18,24,36,40*	450ES3-40SP	450	112	3	15	70

Eclipse II and Eclipse II Plus - SLIMLINE - 480/600VAC

Number Battery Cells	Model Number	Amp-Hour Capacity in 8 hours	Maximum DC Output Amps	Phase	AC Input Amps at 480 VAC 60 Hertz-3 ph	AC Input Amps at 600 VAC 60 Hertz-3 ph	Approx. Weight (lbs.)
ECLIPSE II – Slimline (conventional charger)							
6,9,12	500ES3-12SC	500	82	3	3.3	2.6	70
6,9,12	600ES3-12SC	600	98	3	3.9	3.1	70
6,9,12	800ES3-12SC	750	130	3	5.2	4.2	70
6,9,12	925ES3-12SC	925	151	3	6	4.8	70
6,9,12	1050ES3-12SC	1050	171	3	6.9	5.5	70
6,9,12	1200ES3-12SC	1200	196	3	7.9	6.3	70
6,9,12,18	600ES3-18SC	600	98	3	5.9	4.7	70
6,9,12,18	800ES3-18SC	800	130	3	7.8	6.2	70
6,9,12,18	925ES3-18SC	925	151	3	9.1	7.3	70
6,9,12,18	1050ES3-18SC	1050	171	3	10.3	8.2	70
6,9,12,18	1200ES3-18SC	1200	196	3	11.8	9.4	80
6,9,12,18	1400ES3-18SC	1400	228	3	13.7	11	80
6,9,12,18,24	500ES3-24SC	500	82	3	6.5	5.2	70
6,9,12,18,24	600ES3-24SC	600	98	3	7.8	6.2	70
6,9,12,18,24	800ES3-24SC	800	130	3	10.4	8.3	70
6,9,12,18,24	925ES3-24SC	925	151	3	12.1	9.7	70
6,9,12,18,24	1050ES3-24SC	1050	171	3	13.7	11	70
12,18,24,36,40*	375ES3-40SC	375	61	3	8.2	6.6	70
12,18,24,36,40*	500ES3-40SC	500	82	3	10.9	8.7	70
12,18,24,36,40*	600ES3-40SC	600	98	3	13.1	10.5	70
12,18,24,36,40*	690ES3-40SC	690	112	3	15.1	12.6	70
ECLIPSE II PLUS – Slimline (opportunity charger)							
6,9,12	550ES3-12SPC	550	138	3	5.5	4.4	70
6,9,12	680ES3-12SPC	680	170	3	6.8	5.4	70
6,9,12	800ES3-12SPC	800	200	3	8	6.4	80
6,9,12	900ES3-12SPC	900	225	3	9	7.2	80
6,9,12	1000ES3-12SPC	1000	250	3	10	8	80
6,9,12,18	550ES3-18SPC	550	138	3	8.3	6.6	70
6,9,12,18	680ES3-18SPC	680	170	3	10.2	8.2	70
6,9,12,18	800ES3-18SPC	800	200	3	12	9.6	80
6,9,12,18	900ES3-18SPC	900	225	3	13.5	10.8	80
6,9,12,18	1000ES3-18SPC	1000	250	3	15	12	80
6,9,12,18,24	550ES3-24SPC	550	138	3	11	8.8	70
6,9,12,18,24	680ES3-24SPC	680	170	3	13.6	10.9	70
6,9,12,18,24	750ES3-24SPC	750	188	3	17	13.6	80
12,18,24,36,40*	375ES3-40SPC	375	94	3	12.5	10	70
12,18,24,36,40*	450ES3-40SPC	450	112	3	15	12	70

* Control does not auto select between 36 and 40 cell.
 Dimensions: 17.5" wide x 10.5" deep x 24" high (with 1.5" legs and 1.5" wall brackets)



Distributed By:

Manufactured by **AMETEK** PRESTOLITE POWER

Phone: 800.367.2002 • Fax: 800.654.4024
 www.prestolitepower.com

Because we continually improve our products, specifications are subject to change without notice.
 ©2016, AMETEK, Inc. Prestolite Power, Troy, Ohio
 Data Sheet: 1610 5/16 5M Printed in U.S.A.
 Replaces 6/14

